

PRODUCT DATA SHEET

Part number **368309**

EAN **4015609665228**

Manufacturer **WALTER-WERKE**

WEEE-Reg.-Number: **DE 22131895**

Product description

Waterproof coupler 63A 3P 9h with external cable gland



Product image



Detailed product description

WALTER Coupler 63A 3P 400V 9h IP67
 made from PA6 material
 with screw terminal
 with cable gland

Ordering Information

Order unit	Piece
Customs number	85366990
Net weight	0,644 kg
Packing quantity (VPE)	10
Length of the packaging	
Width of the packaging	
Depth of the packaging	
Gross weight(VPE)	6,44 kg

Certificates

VDE certification	40000699	
EAC certification	BY112.02.01.020 06101	

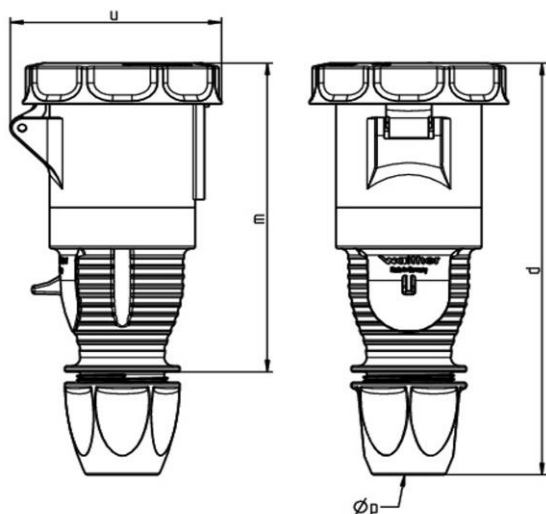
Classification system

Classification system	ETIM_6.0
ETIM Class	EC001320

Technical product data

IEC-amperage	63 A
Amperage acc. UL/CSA (for UL-version)	60 A
Number of poles	3
Voltage acc. EN 60309-2	400 V (50+60 Hz) red
Clock hour position	9 h
Identification colour	Red
RAL-number	3000
Degree of protection (IP)	IP67
Connection system	Screwed terminal
Angle of plug	Straight
Cable entry	Swivel
Material	Plastic

Dimension sheet



Amp.	63		
Pole	3	4	5
d	261	261	261
u	116	116	116
m	189	189	189
Øp	14-33	14-33	14-33