

PRODUCT DATA SHEET

Part number 368

EAN 4015609651580

Manufacturer WALTHER-WERKE

WEEE-Reg.-Number: DE 22131895

Product description

Waterproof coupler 63A 5P 6h with external cable gland



Product Image

Detailed product description

WALTHER Coupler 63A 5P 400V 6h IP67

made from PA6 material

with screw terminal

and cable gland

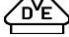


Increased safety due to injected 2K seal

and two contact screws.

Ordering Information

Order unit	Piece
Customs number	85366990
Net weight	0,771 kg
Packing quantity (VPE)	5
Length of the packaging	
Width of the packaging	
Depth of the packaging	
Gross weight(VPE)	3,855 kg

Certificates

VDE certification	40000699	
CQC certification	2004010203136990	
EAC certification	BY112.02.01.020 06101	

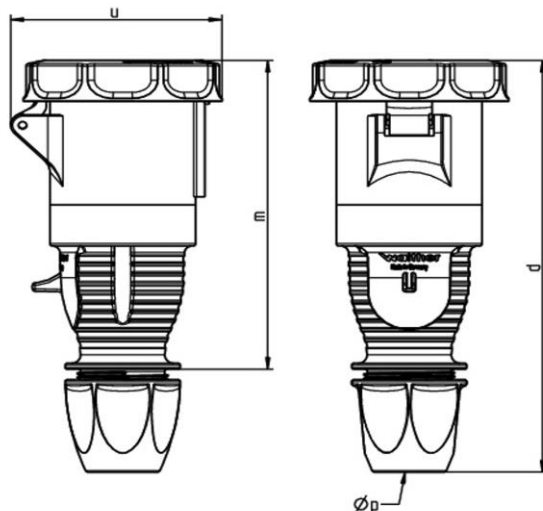
Classification system

Classification system	ETIM_6.0
ETIM Class	EC001320

Technical product data

IEC-amperage	63 A
Amperage acc. UL/CSA (for UL-version)	60 A
Number of poles	5
Voltage acc. EN 60309-2	400 V (50+60 Hz) red
Clock hour position	6 h
Identification colour	Red
RAL-number	3000
Degree of protection (IP)	IP67
Connection system	Screwed terminal
Angle of plug	Straight
Cable entry	Swivel
Material	Plastic

Dimension sheet



Amp.	63		
Pole	3	4	5
d	261	261	261
u	116	116	116
m	189	189	189
Øp	14-33	14-33	14-33