

PRODUCT DATA SHEET

Part number 369

EAN 4015609000531

Manufacturer WALTHER-WERKE

WEEE-Reg.-Number: DE 22131895

Product description

Waterproof coupler 63A 5P 6h with cable gland



Product Image

Detailed product description

WALTHER Coupler 63A 5P 400V 6h IP67

made from PA6 material

with screw terminal

and cable gland





Increased safety due to injected 2K seal

and two contact screws.

Ordering Information

Order unit	Piece
Customs number	85366990
Net weight	0,824 kg
Packing quantity (VPE)	5
Length of the packaging	0,31 m
Width of the packaging	0,255 m
Depth of the packaging	0,15 m
Gross weight(VPE)	4,316 kg

Certificates

VDE certification	40000699	
UL certification	No. E329476	
CQC certification	2004010203136990	
EAC certification	BY112.02.01.020 06101	

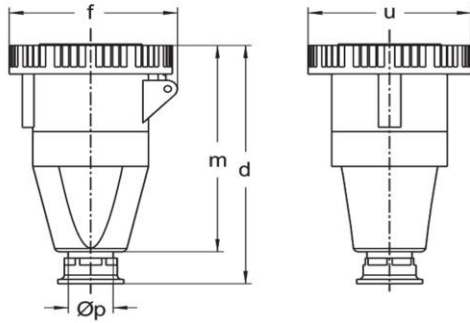
Classification system

Classification system	ETIM_6.0
ETIM Class	EC001320

Technical product data

IEC-amperage	63 A
Amperage acc. UL/CSA (for UL-version)	60 A
Number of poles	5
Voltage acc. EN 60309-2	400 V (50+60 Hz) red
Clock hour position	6 h
Identification colour	Red
RAL-number	3000
Degree of protection (IP)	IP67
Connection system	Screwed terminal
Angle of plug	Straight
Cable entry	Swivel
Material	Plastic

Dimension sheet



Amp.	16	63			125		
Pole	3	3	4	5	3	4	5
d	136	255	255	255	332	332	332
f	78	117	117	117	130	130	130
m	121	206	206	206	275	275	275
u	72	110	110	110	130	130	130
Øp	7,5-14,5	18-34,5	18-34,5	18-34,5	24-45	24-45	24-45