

## PRODUCT DATA SHEET

---

Part number **379407**

---

EAN **4015609018116**

Manufacturer **WALTER-WERKE**

WEEE-Reg.-Number: **DE 22131895**

---

### Product description

---

Waterproof coupler 125A 4P 7h with cable gland



Product image

### Detailed product description

---

WALTER Coupler 125A 4P 500V 7h IP67

made from PA6 material

with screw terminal

and cable gland

### Ordering Information

---

Order unit	Piece
Customs number	85366990
Net weight	1,536 kg
Packing quantity (VPE)	2
Length of the packaging	0,31 m
Width of the packaging	0,255 m
Depth of the packaging	0,15 m
Gross weight(VPE)	3,268 kg

### Certificates

---

VDE certification **123028**



UL certification

No. E329476



EAC certification

BY112.02.01.020 06101



## Classification system

Classification system

ETIM\_6.0

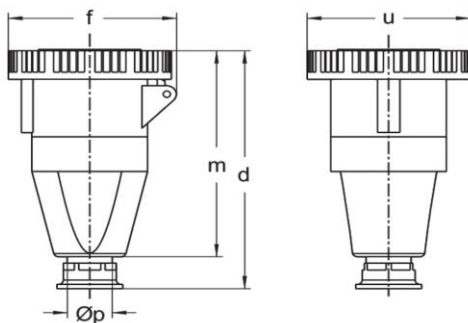
ETIM Class

EC001320

## Technical product data

IEC-amperage	125 A
Amperage acc. UL/CSA (for UL-version)	100 A
Number of poles	4
Voltage acc. EN 60309-2	500 V (50+60 Hz) black
Clock hour position	7 h
Identification colour	Black
RAL-number	9005
Degree of protection (IP)	IP67
Connection system	Screwed terminal
Angle of plug	Straight
Cable entry	Swivel
Material	Plastic

## Dimension sheet



Amp.	63				125		
Pole	3	3	4	5	3	4	5
d	136	255	255	255	332	332	332
f	78	117	117	117	130	130	130
m	121	206	206	206	275	275	275
u	72	110	110	110	130	130	130
Øp	7,5 - 14,5	18 - 34,5	18 - 34,5	18 - 34,5	24 - 45	24 - 45	24 - 45