

PRODUCT DATA SHEET

Part number 379504

EAN	4015609018192
Manufacturer	WALTER-WERKE
WEEE-Reg.-Number:	DE 22131895

Product description

Waterproof coupler 125A 5P 4h with cable gland



Product image

Detailed product description

WALTER Coupler 125A 5P 110V 4h IP67
 made from PA6 material
 with screw terminal
 and cable gland

Ordering Information

Order unit	Piece
Customs number	85366990
Net weight	1,71 kg
Packing quantity (VPE)	2
Length of the packaging	0,31 m
Width of the packaging	0,255 m
Depth of the packaging	0,15 m
Gross weight(VPE)	3,616 kg

Certificates

VDE certification 123028



UL certification

No. E329476



EAC certification

BY112.02.01.020 06101



Classification system

Classification system

ETIM_6.0

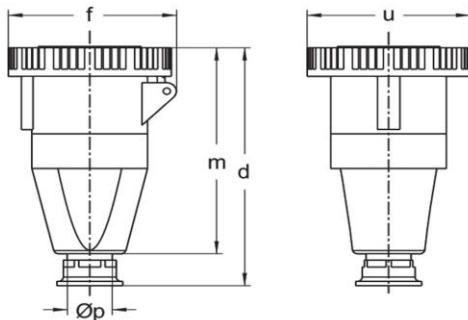
ETIM Class

EC001320

Technical product data

IEC-amperage	125 A
Amperage acc. UL/CSA (for UL-version)	100 A
Number of poles	5
Voltage acc. EN 60309-2	110 V (50+60 Hz) yellow
Clock hour position	4 h
Identification colour	Yellow
RAL-number	1018
Degree of protection (IP)	IP67
Connection system	Screwed terminal
Angle of plug	Straight
Cable entry	Swivel
Material	Plastic

Dimension sheet



Amp.	16			63			125		
Pole	3	3	4	5	3	4	5		
d	136	255	255	255	332	332	332		
f	78	117	117	117	130	130	130		
m	121	206	206	206	275	275	275		
u	72	110	110	110	130	130	130		
Øp	7,5 - 14,5	18 - 34,5	18 - 34,5	18 - 34,5	24 - 45	24 - 45	24 - 45		