

## PRODUCT DATA SHEET

---

Part number 379509

---

EAN 4015609018239

Manufacturer WALTHER-WERKE

WEEE-Reg.-Number: DE 22131895

### Product description

---

Waterproof coupler 125A 5P 9h with cable gland



Product image

### Detailed product description

---

WALTHER Coupler 125A 5P 230V 9h IP67

made from PA6 material

with screw terminal

and cable gland

### Ordering Information

---

Order unit	Piece
Customs number	85366990
Net weight	1,71 kg
Packing quantity (VPE)	2
Length of the packaging	0,31 m
Width of the packaging	0,255 m
Depth of the packaging	0,15 m
Gross weight(VPE)	3,616 kg

### Certificates

---

VDE certification 123028



UL certification

No. E329476



EAC certification

BY112.02.01.020 06101



## Classification system

Classification system

ETIM\_6.0

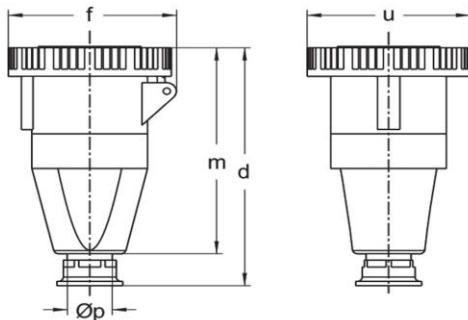
ETIM Class

EC001320

## Technical product data

IEC-amperage	125 A
Amperage acc. UL/CSA (for UL-version)	100 A
Number of poles	5
Voltage acc. EN 60309-2	230 V (50+60 Hz) blue
Clock hour position	9 h
Identification colour	Blue
RAL-number	5002
Degree of protection (IP)	IP67
Connection system	Screwed terminal
Angle of plug	Straight
Cable entry	Swivel
Material	Plastic

## Dimension sheet



Amp.	16			63			125		
Pole	3	3	4	5	3	4	5		
d	136	255	255	255	332	332	332		
f	78	117	117	117	130	130	130		
m	121	206	206	206	275	275	275		
u	72	110	110	110	130	130	130		
Øp	7,5 - 14,5	18 - 34,5	18 - 34,5	18 - 34,5	24 - 45	24 - 45	24 - 45		