

PRODUCT DATA SHEET

Part number 410504VS

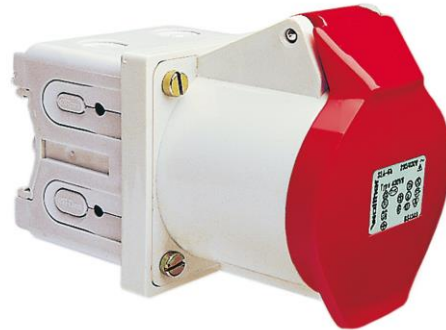
EAN 4015609160846

Manufacturer WALTHER-WERKE

WEEE-Reg.-Number: DE 22131895

Product description

Panel socket straight 16A 5P 4h with flange
 80x80mm for switch cabinet



Similar image



Detailed product description

WALTHER Panel socket 16A 5P 110V 4h IP44
 straight
 made from PA6 material
 finger-safe in accordance with BGV A3
 for installation in switch cabinets
 can be screwed onto DIN rail
 occupies 4.5 horizontal pitch units
 flange 80x80
 fixing center 60x60

Ordering Information

Order unit	Piece
Customs number	85366990
Net weight	0,257 kg
Packing quantity (VPE)	10
Length of the packaging	0,31 m
Width of the packaging	0,195 m
Depth of the packaging	0,14 m
Gross weight(VPE)	2,718 kg

Certificates

VDE certification	123017	
EAC certification	BY112.02.01.020 06089	

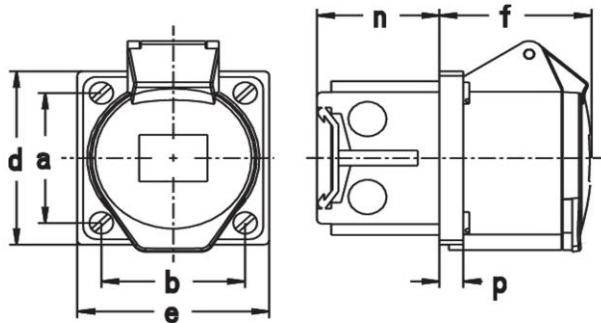
Classification system

Classification system	ETIM_6.0
ETIM Class	EC001317

Technical product data

IEC-amperage	16 A
Amperage acc. UL/CSA (for UL-version)	20 A
Number of poles	5
Voltage acc. EN 60309-2	110 V (50+60 Hz) yellow
Clock hour position	4 h
Identification colour	Yellow
RAL-number	1018
Degree of protection (IP)	IP44
Connection system	Screwed terminal
Angle of plug	Straight
Material	Plastic
Military model	False
Flange size vertical	75 mm
Drill hole distance vertical	60 mm
Flange size horizontal	75 mm
Drill hole distance horizontal	60 mm

Dimension sheet



Amp.	16			32		
Pole	3	4	5	3	4	5
a	60	60	60	60	60	60
b	60	60	60	60	60	60
d	80	80	80	80	80	80
e	80	80	80	80	80	80
f	56	59	59	62	69	69
n	52	52	52	52	52	52
p	10	10	10	10	10	10