

PRODUCT DATA SHEET

Part number 412309

EAN 4015609160914

Manufacturer WALTHER-WERKE

WEEE-Reg.-Number: DE 22131895

Product description

Panel socket straight 16A 3P 9h with screwed flange 62x62mm



Similar image

Detailed product description

WALTHER Panel socket 16A 3P 400V 9h IP44
 straight
 made from PA6 material
 finger-safe in accordance with BGV A3
 and screwed flange
 flange 62x62
 fixing center 47x47

Ordering Information

Order unit	Piece
Customs number	85366990
Net weight	0,129 kg
Packing quantity (VPE)	10
Length of the packaging	0,31 m
Width of the packaging	0,163 m
Depth of the packaging	0,113 m
Gross weight(VPE)	1,402 kg

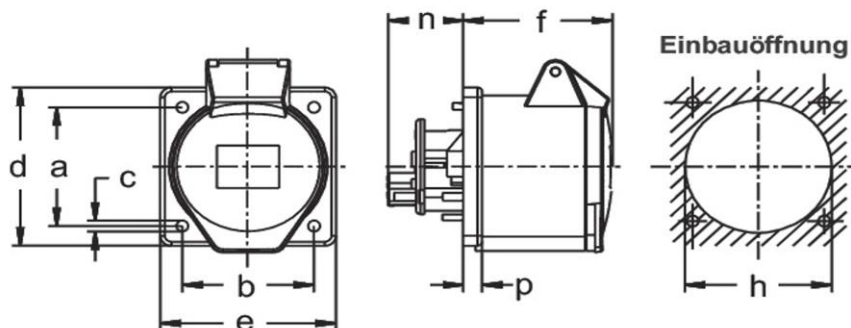
Classification system

Classification system	ETIM_6.0
ETIM Class	EC001317

Technical product data

IEC-ampereage	16 A
Ampereage acc. UL/CSA (for UL-version)	20 A
Number of poles	3
Voltage acc. EN 60309-2	400 V (50+60 Hz) red
Clock hour position	9 h
Identification colour	Red
RAL-number	3000
Degree of protection (IP)	IP44
Connection system	Screwed terminal
Angle of plug	Straight
Material	Plastic
Military model	False
Flange size vertical	62 mm
Drill hole distance vertical	47 mm
Flange size horizontal	62 mm
Drill hole distance horizontal	47 mm

Dimension sheet



Amp.	16
Pole	3
a	47
b	47
c	5,5
d	62
e	62
f	58
h	50
n	32
p	8,5