

## PRODUCT DATA SHEET

---

Part number	430306VS
EAN	4015609160969
Manufacturer	WALTHER-WERKE
WEEE-Reg.-Number:	DE 22131895

### Product description

---

Panel socket straight 32A 3P 6h with flange  
 80x80mm for switch cabinet



Product image

### Detailed product description

---

WALTHER Panel socket 32A 3P 230V 6h IP44  
 straight  
 made from PA6 material  
 finger-safe in accordance with BGV A3,  
 for installation in switch cabinets  
 can be screwed onto DIN rail  
 occupies 4.5 horizontal pitch units  
 flange 80x80  
 fixing center 60x60



### Ordering Information

---

Order unit	Piece
Customs number	85366990
Net weight	0,277 kg
Packing quantity (VPE)	10
Length of the packaging	0,31 m
Width of the packaging	0,195 m
Depth of the packaging	0,14 m
Gross weight(VPE)	2,918 kg

## Certificates

---

VDE certification	123021	
EAC certification	BY112.02.01.020 06089	

## Classification system

---

Classification system	ETIM_6.0
ETIM Class	EC001317

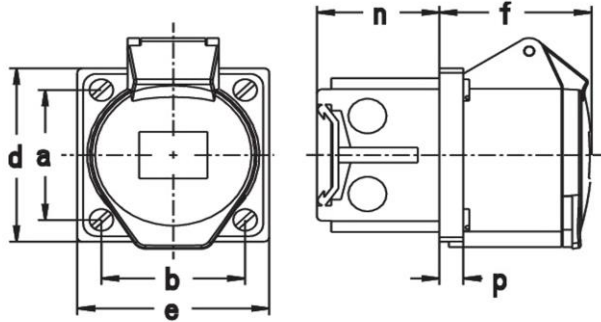
## Technical product data

---

IEC-amperage	32 A
Amperage acc. UL/CSA (for UL-version)	30 A
Number of poles	3
Voltage acc. EN 60309-2	230 V (50+60 Hz) blue
Clock hour position	6 h
Identification colour	Blue
RAL-number	5002
Degree of protection (IP)	IP44
Connection system	Screwed terminal
Angle of plug	Straight
Material	Plastic
Military model	False
Flange size vertical	75 mm
Drill hole distance vertical	60 mm
Flange size horizontal	75 mm
Drill hole distance horizontal	60 mm

## Dimension sheet

---



Amp.	16			32		
Pole	3	4	5	3	4	5
a	60	60	60	60	60	60
b	60	60	60	60	60	60
d	80	80	80	80	80	80
e	80	80	80	80	80	80
f	56	59	59	62	69	69
n	52	52	52	52	52	52
p	10	10	10	10	10	10