

PRODUCT DATA SHEET

Part number	430406VS
EAN	4015609161003
Manufacturer	WALTHER-WERKE
WEEE-Reg.-Number:	DE 22131895

Product description

Panel socket straight 32A 4P 6h with flange
80x80mm for switch cabinet



Product image



Detailed product description

WALTHER Panel socket 32A 4P 400V 6h IP44
 straight
 made from PA6 material
 finger-safe in accordance with BGV A3,
 for installation in switch cabinets
 can be screwed onto DIN rail
 occupies 4.5 horizontal pitch units
 flange 80x80
 fixing center 60x60

Ordering Information

Order unit	Piece
Customs number	85366990
Net weight	0,297 kg
Packing quantity (VPE)	10
Length of the packaging	0,31 m
Width of the packaging	0,195 m
Depth of the packaging	0,14 m
Gross weight(VPE)	3,118 kg

Certificates

VDE certification	123021	
EAC certification	BY112.02.01.020 06089	

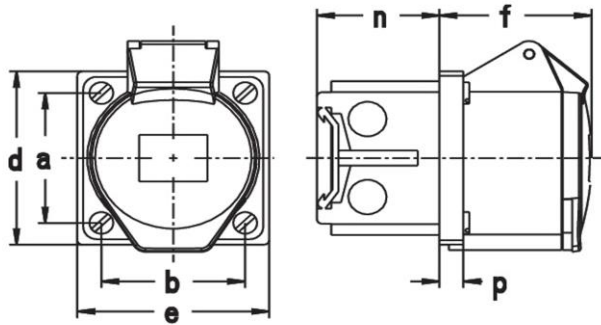
Classification system

Classification system	ETIM_6.0
ETIM Class	EC001317

Technical product data

IEC-amperage	32 A
Amperage acc. UL/CSA (for UL-version)	30 A
Number of poles	4
Voltage acc. EN 60309-2	400 V (50+60 Hz) red
Clock hour position	6 h
Identification colour	Red
RAL-number	3000
Degree of protection (IP)	IP44
Connection system	Screwed terminal
Angle of plug	Straight
Material	Plastic
Military model	False
Flange size vertical	75 mm
Drill hole distance vertical	60 mm
Flange size horizontal	75 mm
Drill hole distance horizontal	60 mm

Dimension sheet



Amp.	16			32		
Pole	3	4	5	3	4	5
a	60	60	60	60	60	60
b	60	60	60	60	60	60
d	80	80	80	80	80	80
e	80	80	80	80	80	80
f	56	59	59	62	69	69
n	52	52	52	52	52	52
p	10	10	10	10	10	10