

## PRODUCT DATA SHEET

---

Part number 436509

---

EAN 4015609020133

Manufacturer WALTHER-WERKE

WEEE-Reg.-Number: DE 22131895

### Product description

---

MONDO wall socket 32A 5P 9h built-in with flush-mounted socket and plaster-compensating flange in pearl white



Similar image

### Detailed product description

---

WALTHER Wall socket 32A 5P 230V 9h IP44

from the MONDO series

made from PA6 material

flush-mounted

in pearl white (RAL 1013)

with flush-mounted socket

and plaster-compensating flange

outer dimensions 90x90

The flat cover allows a low housing height

and is therefore suitable for prestigious areas.

### Ordering Information

---

Order unit	Piece
Customs number	85366990
Net weight	0,369 kg
Packing quantity (VPE)	5
Length of the packaging	0,31 m
Width of the packaging	0,255 m
Depth of the packaging	0,15 m
Gross weight(VPE)	2,041 kg

## Classification system

---

Classification system	ETIM_6.0
ETIM Class	EC001318

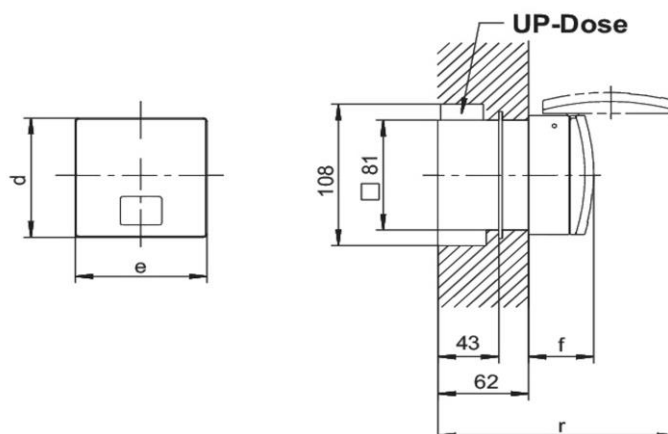
## Technical product data

---

Current supply	CEE 32 A
Number of poles	5
Voltage acc. EN 60309-2	230 V (50+60 Hz) blue
Clock hour position	9 h
Identification colour	Blue
Construction type	Flush mounted socket with UP box
Configuration	Closed cover
Colour	White
RAL-number	1013

## Dimension sheet

---



Amp.	32		
Pole	3	4	5
d	90	90	90
e	90	90	90
f	45	45	45
r	104	104	104