

PRODUCT DATA SHEET

| | |
|---------------|---------------|
| Part number | 4E9505 |
| EAN | 4015609062560 |
| Manufacturer | WALTER-WERKE |
| WEEE-Reg.-Nr: | DE 22131895 |

Product description

CEE High current panel socket straight 400A 5P 5h IP67 B-Line with screw terminal



Product image

Detailed product description

WALTER CEE High current panel socket straight
 with screw terminal
 400A 5P 5h IP67 690V ~
 enclosure made from aluminium
 spring cover made from plastic
 with high temperature resisting contact carriers
 B-Line

Ordering information

| | |
|-------------------------|----------|
| order unit | Piece |
| customs number | 85366990 |
| net weight | 7.3 kg |
| packing quantity(VPE) | 1 |
| length of the packaging | 0.275 m |
| width of the packaging | 0.23 m |
| depth of the packaging | 0.35 m |
| gross weight(VPE) | 7.3 kg |

Conformities

| | |
|----------------|------------|
| CE conformity | √ |
| RoHS directive | 2011/65/EU |

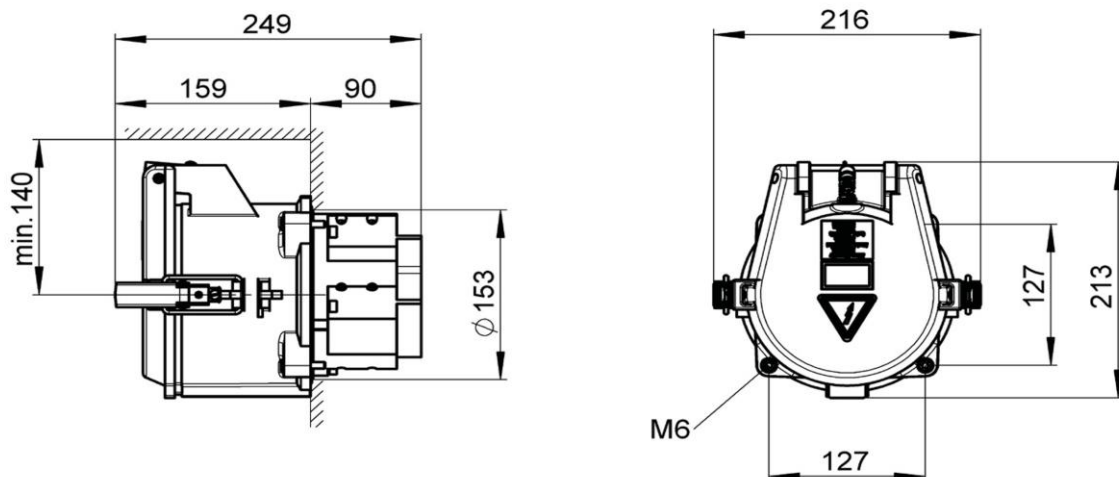
Classification system

| | |
|-----------------------|----------|
| classification system | ETIM_7.0 |
| ETIM Class | EC001322 |

Technical product data

| | |
|--|---------------------------------|
| construction type | equipment mounted socket outlet |
| amperage | 400 A |
| rated current | 450 A |
| rated frequency | 50/60 Hz |
| number of poles | 5 |
| clock hour position | 5 h |
| voltage | 690 V |
| rated voltage | 1000 V |
| test voltage (1min/50Hz) | 4000 V |
| degree of protection (IP) | IP67 |
| mechanical protection | IK10 |
| strain energy | 20 Joule |
| load-carrying capacity | 2 t |
| ambient temperature | -40 - 100 °C |
| min. connection cross section, rope EN 60228 class 5 | 70 mm ² |
| max. connection cross section, rope EN 60228 class 5 | 240 mm ² |
| max. connection cross section pilot, wire EN 60228 class 5 | 4 mm ² |
| cable diameter | 34-66 mm |
| cable diameter - separate pilot cable | 8-15 mm |
| contact screws | M10 |
| tightening torque contact screws | 16 Nm |
| tightening torque pilot contacts | 1.4 Nm |

Dimension sheet



Kabel ohne Pilotkontakte



1 Kabelverschraubung

2 Kontaktbuchsen

| 1. | C-Line | B-Line |
|--------------|----------------------|----------------------|
| Länge | 200 A – 250 A | 250 A - 400 A |
| A | 30 mm | 60 mm |
| B | 150 mm | 200 mm |