

## PRODUCT DATA SHEET

---

Part number 562504

---

EAN 4015609022410

Manufacturer WALTHER-WERKE

WEEE-Reg.-Number: DE 22131895

### Product description

---

Panel socket angled 63A 5P 4h with flange  
 114x114mm



Similar image

### Detailed product description

---

WALTHER Panel socket 63A 5P 110V 4h IP44  
 angled  
 made from PA6 material  
 finger-safe in accordance with BGV A3  
 soft transition  
 radius from flange to collar  
 flange 110x110  
 fixing center 90x90



### Ordering Information

---

Order unit	Piece
Customs number	85366990
Net weight	0,715 kg
Packing quantity (VPE)	5
Length of the packaging	0,31 m
Width of the packaging	0,255 m
Depth of the packaging	0,15 m
Gross weight(VPE)	3,771 kg

### Certificates

---

VDE certification	40000707	
EAC certification	BY112.02.01.020 06089	

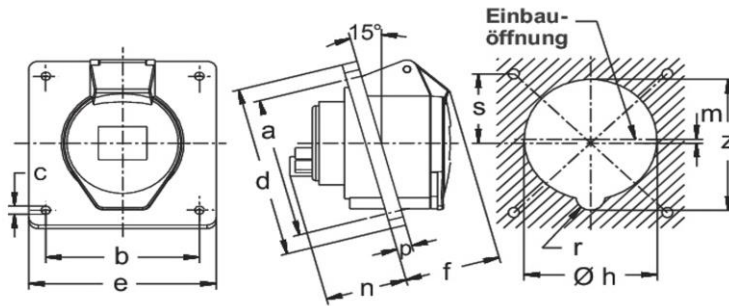
## Classification system

Classification system	ETIM_6.0
ETIM Class	EC001317

## Technical product data

IEC-amperage	63 A
Amperage acc. UL/CSA (for UL-version)	60 A
Number of poles	5
Voltage acc. EN 60309-2	110 V (50+60 Hz) yellow
Clock hour position	4 h
Identification colour	Yellow
RAL-number	1018
Degree of protection (IP)	IP44
Connection system	Screwed terminal
Angle of plug	Angled
Material	Plastic
Military model	False
Flange size vertical	114 mm
Drill hole distance vertical	90 mm
Flange size horizontal	114 mm
Drill hole distance horizontal	90 mm

## Dimension sheet



Amp.	16	32	63
Pole	5	5	5
a	90	90	90
b	90	90	90
c	5,5	5,5	6,5
d	110	110	114
e	110	110	114
f	51	56	79
h	70	78	86
m	2	2,5	2,5
n	38	47	64
p	9	9	12
r	7,5	8,5	10
s	45	45	45
z	74	85	94