

PRODUCT DATA SHEET

Part number	579NI
EAN	4015609169450
Manufacturer	WALTHER-WERKE
WEEE-Reg.-Number:	DE 22131895

Product description

Waterproof panel socket angled 125A 5P 6h with flange 114x114mm for harsh environments



Similar image

Detailed product description

WALTHER Panel socket 125A 5P 400V 6h IP67
 angled
 made from PA6 material
 finger-safe in accordance with BGV A3
 soft transition radius from flange to collar
 with multi-contact
 flange 114x114mm
 fixing center 90x90mm
 for harsh environments

Ordering Information

Order unit	Piece
Customs number	85366990
Net weight	1,316 kg
Packing quantity (VPE)	2
Length of the packaging	0,31 m
Width of the packaging	0,195 m
Depth of the packaging	0,14 m
Gross weight(VPE)	2,78 kg

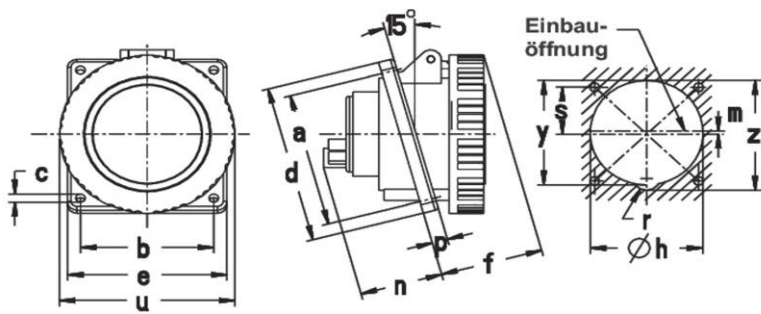
Classification system

Classification system	ETIM_6.0
ETIM Class	EC001317

Technical product data

IEC-ampereage	125 A
Amperage acc. UL/CSA (for UL-version)	100 A
Number of poles	5
Voltage acc. EN 60309-2	400 V (50+60 Hz) red
Clock hour position	6 h
Identification colour	Red
RAL-number	3000
Degree of protection (IP)	IP67
Connection system	Screwed terminal
Angle of plug	Angled
Material	Plastic
Military model	False
Flange size vertical	114 mm
Drill hole distance vertical	90 mm
Flange size horizontal	114 mm
Drill hole distance horizontal	90 mm

Dimension sheet



Amp.	125		
Pole	3	4	5
a	90	90	90
b	90	90	90
c	6,5	6,5	6,5
d	114	114	114
e	114	114	114
f	94	94	94
h	90	90	88
m	-/-	8	8
n	75	75	75
p	12	12	12
r	8	8	9,5
s	-/-	45	45
u	130	130	130
y	96	96	96
z	102	102	104