

## PRODUCT DATA SHEET

---

|               |               |
|---------------|---------------|
| Part number   | 5B9409        |
| EAN           | 4015609065264 |
| Manufacturer  | WALTER-WERKE  |
| WEEE-Reg.-Nr: | DE 22131895   |

### Product description

---

CEE High current panel socket angled 250A 4P 9h IP67 C-Line with screw terminal



Product image

### Detailed product description

---

WALTER CEE High current panel socket angled  
 with screw terminal  
 250A 4P 9h IP67 230V ~  
 enclosure made from aluminium  
 spring cover made from plastic  
 with high temperature resisting contact carriers  
 C-Line

### Ordering information

---

|                         |          |
|-------------------------|----------|
| order unit              | Piece    |
| customs number          | 85366990 |
| net weight              | 4.4 kg   |
| packing quantity(VPE)   | 1        |
| length of the packaging | 0.462 m  |
| width of the packaging  | 0.24 m   |
| depth of the packaging  | 0.242 m  |
| gross weight(VPE)       | 4.4 kg   |

### Conformities

---

|                |            |
|----------------|------------|
| CE conformity  | √          |
| RoHS directive | 2011/65/EU |

## Classification system

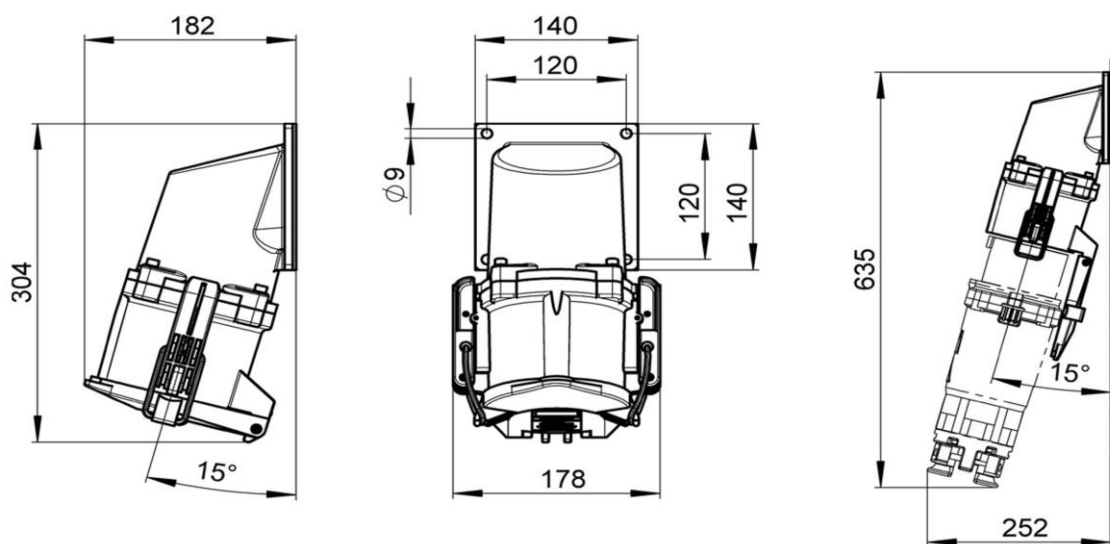
|                       |          |
|-----------------------|----------|
| classification system | ETIM_7.0 |
| ETIM Class            | EC001322 |

## Technical product data

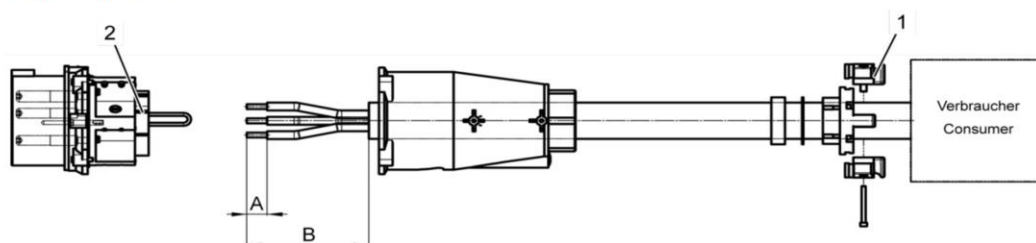
|  |                                 |
|--|---------------------------------|
| construction type  | equipment mounted socket outlet |
| amperage   | 250 A                           |
| rated current  | 285 A                           |
| rated frequency  | 50/60 Hz                        |
| number of poles  | 4                               |
| clock hour position  | 9 h                             |
| voltage  | 230 V                           |
| rated voltage  | 1000 V                          |
| test voltage (1min/50Hz)                                   | 4000 V                          |
| degree of protection (IP)                                  | IP67                            |
| mechanical protection                                      | IK10                            |
| strain energy  | 20 Joule                        |
| ambient temperature  | -40 - 100 °C                    |
| min. connection cross section, rope EN 60228 class 5       | 35 mm <sup>2</sup>              |
| max. connection cross section, rope EN 60228 class 5       | 150 mm <sup>2</sup>             |
| max. connection cross section pilot, wire EN 60228 class 5 | 4 mm <sup>2</sup>               |
| cable diameter   | 34-66 mm                        |
| cable diameter - separate pilot cable                      | 5-10 mm                         |
| contact screws   | M8                              |
| tightening torque contact screws                           | 8 Nm                            |
| tightening torque pilot contacts                           | 1.4 Nm                          |
| chemical resistance  |                                 |
| - acetic acid  | ✓                               |
| - citric acid  | ✓                               |
| - lactic acid  | ✓                               |
| - sodium hydroxide   | ✓                               |
| - isopropanol  | ✓                               |
| - methanol   | ✓                               |
| - ethanol  | ✓                               |
| - hydrogen peroxide  | ✓                               |
| - n-hexane   | ✓                               |

|                           |   |
|---------------------------|---|
| - toluene                 | ✓ |
| - iso-octane              | ✓ |
| - acetone                 | ✓ |
| - diethyl ether           | ✓ |
| - SAE10W40 multigrade oil | ✓ |
| - diesel oil              | ✓ |
| - ethyl acetate           | ✓ |

## Dimension sheet



### Kabel ohne Pilotkontakte



1 Kabelverschraubung

2 Kontaktbuchsen

| 1.           |  | C-Line               | B-Line               |
|--------------|--|----------------------|----------------------|
| <b>Länge</b> |  | <b>200 A – 250 A</b> | <b>250 A - 400 A</b> |
| A            |  | 30 mm                | 60 mm                |
| B            |  | 150 mm               | 200 mm               |