

## PRODUCT DATA SHEET

---

|               |               |
|---------------|---------------|
| Part number   | 5D9501        |
| EAN           | 4015609061518 |
| Manufacturer  | WALTHER-WERKE |
| WEEE-Reg.-Nr: | DE 22131895   |

### Product description

---

CEE High current panel socket angled 315A 5P 1h IP67 B-Line with screw terminal



Product image

### Detailed product description

---

WALTHER CEE High current panel socket angled with screw terminal  
 315A 5P 1h IP67 1000V ~  
 enclosure made from aluminium  
 with high temperature resisting contact carriers  
 B-Line

### Ordering information

---

|                         |          |
|-------------------------|----------|
| order unit              | Piece    |
| customs number          | 85366990 |
| net weight              | 10.8 kg  |
| packing quantity(VPE)   | 1        |
| length of the packaging | 0.462 m  |
| width of the packaging  | 0.24 m   |
| depth of the packaging  | 0.242 m  |
| gross weight(VPE)       | 10.8 kg  |

### Conformities

---

|                |            |
|----------------|------------|
| CE conformity  | √          |
| RoHS directive | 2011/65/EU |

## Classification system

---

|                       |          |
|-----------------------|----------|
| classification system | ETIM_7.0 |
| ETIM Class            | EC001322 |

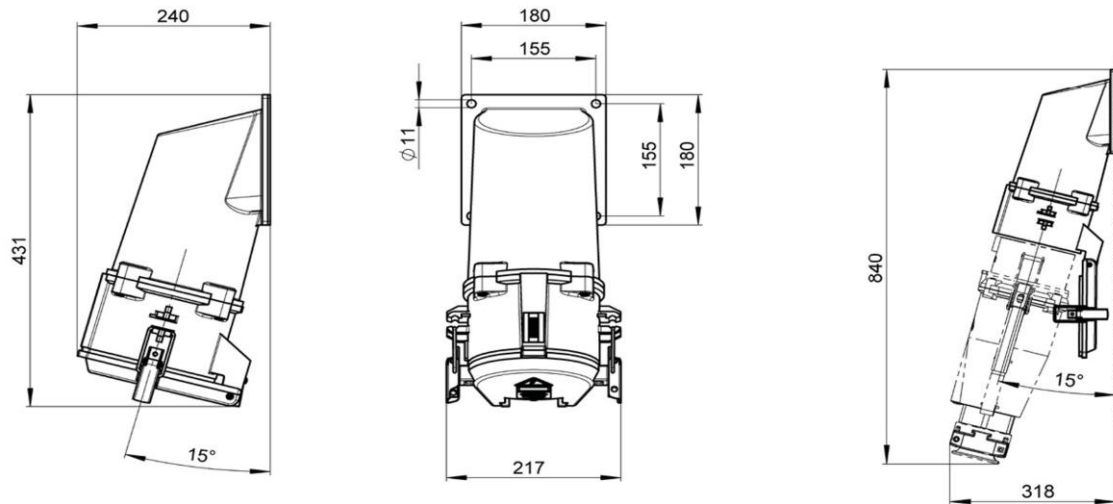
## Technical product data

---

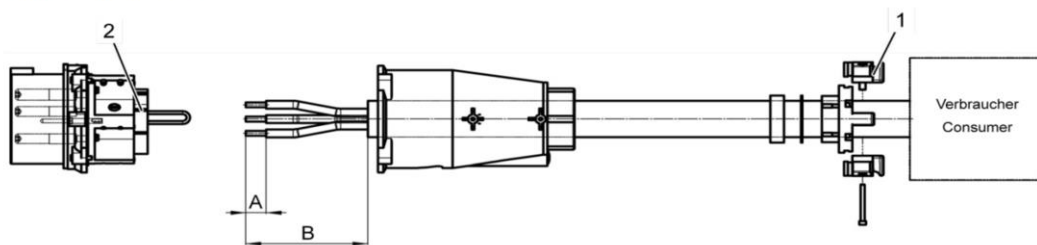
|  |                                 |
|--|---------------------------------|
| construction type  | equipment mounted socket outlet |
| amperage   | 315 A                           |
| rated current  | 380 A                           |
| rated frequency  | 50/60 Hz                        |
| number of poles  | 5                               |
| clock hour position  | 1 h                             |
| voltage  | 1000 V                          |
| rated voltage  | 1000 V                          |
| test voltage (1min/50Hz)                                   | 4000 V                          |
| degree of protection (IP)                                  | IP67                            |
| mechanical protection                                      | IK10                            |
| strain energy  | 20 Joule                        |
| load-carrying capacity                                     | 2 t                             |
| ambient temperature  | -40 - 100 °C                    |
| min. connection cross section, rope EN 60228 class 5       | 70 mm <sup>2</sup>              |
| max. connection cross section, rope EN 60228 class 5       | 240 mm <sup>2</sup>             |
| max. connection cross section pilot, wire EN 60228 class 5 | 4 mm <sup>2</sup>               |
| cable diameter   | 34-66 mm                        |
| cable diameter - separate pilot cable                      | 8-15 mm                         |
| contact screws   | M10                             |
| tightening torque contact screws                           | 16 Nm                           |
| tightening torque pilot contacts                           | 1.4 Nm                          |

## Dimension sheet

---



**Kabel ohne Pilotkontakte**



1 Kabelverschraubung

2 Kontaktbuchsen

| 1.           | C-Line               | B-Line               |
|--------------|----------------------|----------------------|
| <b>Länge</b> | <b>200 A – 250 A</b> | <b>250 A - 400 A</b> |
| A            | 30 mm                | 60 mm                |
| B            | 150 mm               | 200 mm               |