

PRODUCT DATA SHEET

Part number 610709

EAN 4015609023301

Manufacturer WALTHER-WERKE

WEEE-Reg.-Number: DE 22131895

Product description

Wall appliance inlet for external fixing 16A 7P 9h with one top cable entry



Similar image

Detailed product description

WALTHER Wall appliance inlet 16A 7P 230V 9h IP44
 made from PA6 material
 for external fixing
 and with one top cable entry

Ordering Information

Order unit	Piece
Customs number	85366990
Net weight	0,204 kg
Packing quantity (VPE)	10
Length of the packaging	
Width of the packaging	
Depth of the packaging	
Gross weight(VPE)	2,04 kg

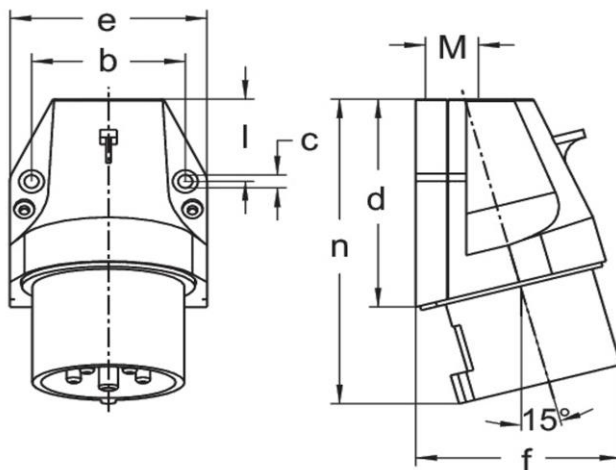
Classification system

Classification system	ETIM_6.0
ETIM Class	EC001319

Technical product data

IEC-amperage	16 A
Amperage acc. UL/CSA (for UL-version)	20 A
Number of poles	7
Voltage acc. EN 60309-2	230 V (50+60 Hz) blue
Clock hour position	9 h
Identification colour	Blue
RAL-number	5002
Degree of protection (IP)	IP44
Connection system	Screwed terminal
Connection type	Wall mounted plug
Angle of plug	Angled
Material	Plastic

Dimension sheet



Amp.	16	32
Pole	7	7
b	60	60
c	5,3	5,3
d	80	97
e	74	82
f	73	86
l	31	45
n	117	141
M	20	25