

## PRODUCT DATA SHEET

---

Part number 633500

---

EAN 4015609024445

Manufacturer WALTHER-WERKE

WEEE-Reg.-Number: DE 22131895

---

### Product description

---

Protective cap 32A 5P IP67 for plugs and appliance inlets, with fixing set



Product image

### Detailed product description

---

WALTHER Protective cap 32A 5P IP67  
 made from PA6 material  
 for plugs and appliance inlets  
 with fixing set

### Ordering Information

---

Order unit	Piece
Customs number	85366990
Net weight	0,0764 kg
Packing quantity (VPE)	10
Length of the packaging	
Width of the packaging	
Depth of the packaging	
Gross weight(VPE)	0,764 kg

### Classification system

---

Classification system	ETIM_6.0
ETIM Class	EC002313

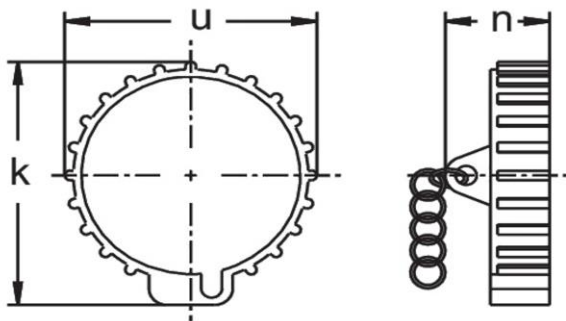
## Technical product data

---

Nominal current	32 A
Number of poles	5
Degree of protection (IP)	IP67

## Dimension sheet

---



Amp.	16		32
Pole	3	5	5
k	70	86	99
n	41	42	52
u	60	76	89