

## PRODUCT DATA SHEET

---

Part number 668304

---

EAN 4015609024889

Manufacturer WALThER-WERKE

WEEE-Reg.-Number: DE 22131895

---

### Product description

---

Waterproof wall appliance inlet for external fixing  
 63A 3P 4h with one top cable entry, non-nickel-  
 plated contacts and pilot contact



Similar image

### Detailed product description

---

WALThER Wall appliance inlet 63A 3P 110V 4h IP67  
 made from PA6 material  
 with non-nickel-plated contacts  
 with with one top cable entry  
 and pilot contact  
 for external fixing

### Ordering Information

---

Order unit	Piece
Customs number	85366990
Net weight	0,825 kg
Packing quantity (VPE)	2
Length of the packaging	
Width of the packaging	
Depth of the packaging	
Gross weight(VPE)	1,65 kg

### Classification system

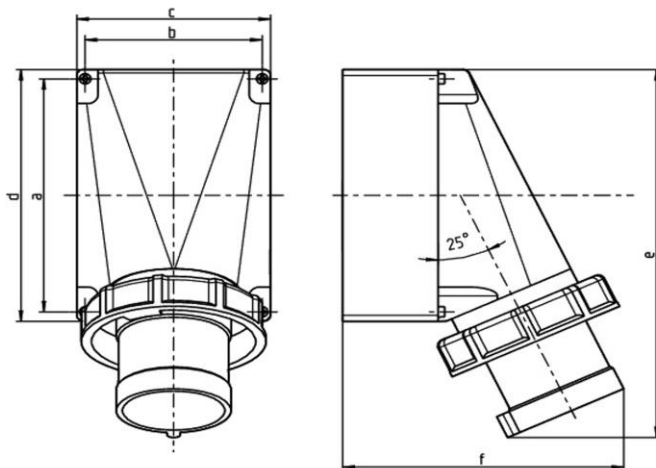
---

Classification system	ETIM_6.0
ETIM Class	EC001319

### Technical product data

IEC-amperage	63 A
Amperage acc. UL/CSA (for UL-version)	60 A
Number of poles	3
Voltage acc. EN 60309-2	110 V (50+60 Hz) yellow
Clock hour position	4 h
Identification colour	Yellow
RAL-number	1018
Degree of protection (IP)	IP67
Connection system	Screwed terminal
Connection type	Wall mounted plug
Angle of plug	Angled
Material	Plastic

### Dimension sheet



Amp.	63		
Pole	3	4	5
a	136	120	120
b	104	104	104
c	118	118	118
d	170	170	170
e	250	250	250
f	171	171	171
M	40	40	40