

PRODUCT DATA SHEET

Part number	678406OK
EAN	4015609153145
Manufacturer	WALTHER-WERKE
WEEE-Reg.-Number:	DE 22131895

Product description

Waterproof wall appliance inlet for internal fixing
 125A 4P 6h with two cable entries both top and
 bottom and pilot contact without terminal set



Similar image



Detailed product description

WALTHER Wall appliance inlet 125A 4P 400V 6h IP67
 made from PA6 material
 with 1xM50 and 1xM20 top cable entries
 with 2xM40 bottom cable entries
 and pilot contact
 without terminal set
 for internal fixing

Ordering Information

Order unit	Piece
Customs number	85366990
Net weight	1,455 kg
Packing quantity (VPE)	1
Length of the packaging	
Width of the packaging	
Depth of the packaging	
Gross weight(VPE)	1,455 kg

Certificates

VDE certification	123030	
EAC certification	BY112.02.01.020 06091	

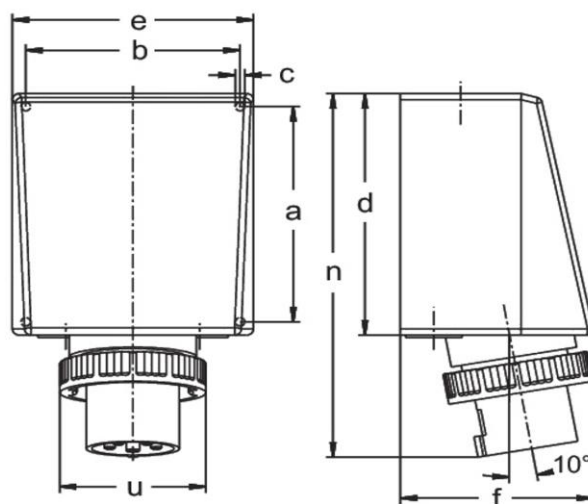
Classification system

Classification system	ETIM_6.0
ETIM Class	EC001319

Technical product data

IEC-amperage	125 A
Amperage acc. UL/CSA (for UL-version)	100 A
Number of poles	4
Voltage acc. EN 60309-2	400 V (50+60 Hz) red
Clock hour position	6 h
Identification colour	Red
RAL-number	3000
Degree of protection (IP)	IP67
Connection system	Screwed terminal
Connection type	Wall mounted plug
Angle of plug	Angled
Material	Plastic

Dimension sheet



Amp.	125		
Pole	3	4	5
a	240	240	240
b	200	200	200
c	7	7	7
d	263	263	263
e	220	220	220
f	175	175	175
n	390	390	390
u	130	130	130
M1	50/20	50/20	50/20
M2	40	40	40