

## PRODUCT DATA SHEET

---

|                   |               |
|-------------------|---------------|
| Part number       | 678409OK      |
| EAN               | 4015609170180 |
| Manufacturer      | WALTHER-WERKE |
| WEEE-Reg.-Number: | DE 22131895   |

### Product description

---

Waterproof wall appliance inlet for internal fixing  
 125A 4P 9h with two cable entries both top and  
 bottom and pilot contact without terminal set



Similar image

### Detailed product description

---

WALTHER Wall appliance inlet 125A 4P 230V 9h IP67  
 made from PA6 material  
 with 1xM50 and 1xM20 top cable entries  
 with 2xM40 bottom cable entries  
 and pilot contact  
 without terminal set  
 for internal fixing



### Ordering Information

---

|                         |          |
|-------------------------|----------|
| Order unit              | Piece    |
| Customs number          | 85366990 |
| Net weight              | 1,455 kg |
| Packing quantity (VPE)  | 1        |
| Length of the packaging |          |
| Width of the packaging  |          |
| Depth of the packaging  |          |
| Gross weight(VPE)       | 1,455 kg |

### Certificates

---

|                   |                       |   |
|-------------------|-----------------------|---|
| VDE certification | 123030                |  |
| EAC certification | BY112.02.01.020 06091 |  |

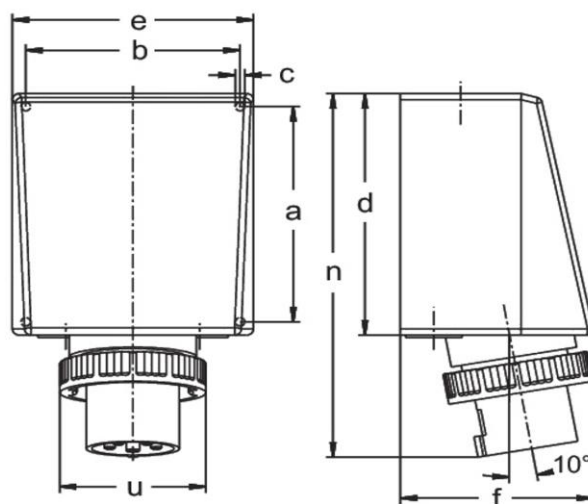
## Classification system

|                       |          |
|-----------------------|----------|
| Classification system | ETIM_6.0 |
| ETIM Class            | EC001319 |

## Technical product data

|                                       |                       |
|---------------------------------------|-----------------------|
| IEC-amperage                          | 125 A                 |
| Amperage acc. UL/CSA (for UL-version) | 100 A                 |
| Number of poles                       | 4                     |
| Voltage acc. EN 60309-2               | 230 V (50+60 Hz) blue |
| Clock hour position                   | 9 h                   |
| Identification colour                 | Blue                  |
| RAL-number                            | 5002                  |
| Degree of protection (IP)             | IP67                  |
| Connection system                     | Screwed terminal      |
| Connection type                       | Wall mounted plug     |
| Angle of plug                         | Angled                |
| Material                              | Plastic               |

## Dimension sheet



| Amp. | 125   |       |       |
|------|-------|-------|-------|
| Pole | 3     | 4     | 5     |
| a    | 240   | 240   | 240   |
| b    | 200   | 200   | 200   |
| c    | 7     | 7     | 7     |
| d    | 263   | 263   | 263   |
| e    | 220   | 220   | 220   |
| f    | 175   | 175   | 175   |
| n    | 390   | 390   | 390   |
| u    | 130   | 130   | 130   |
| M1   | 50/20 | 50/20 | 50/20 |
| M2   | 40    | 40    | 40    |