

## PRODUCT DATA SHEET

---

Part number 678509

---

EAN 4015609025282

Manufacturer WALTHER-WERKE

WEEE-Reg.-Number: DE 22131895

### Product description

---

Waterproof wall appliance inlet for internal fixing  
 125A 5P 9h with two cable entries both top and  
 bottom with terminal set and pilot contact



Similar image

### Detailed product description

---

WALTHER Wall appliance inlet 125A 5P 230V 9h IP67  
 made from PA6 material  
 with 1xM50 and 1xM20 top cable entries  
 with 2xM40 bottom cable entries  
 with terminal set 5x50 qmm  
 and pilot contact  
 for internal fixing



### Ordering Information

---

Order unit	Piece
Customs number	85366990
Net weight	3,8 kg
Packing quantity (VPE)	1
Length of the packaging	
Width of the packaging	
Depth of the packaging	
Gross weight(VPE)	3,8 kg

### Certificates

---

VDE certification	123030	
EAC certification	BY112.02.01.020 06091	

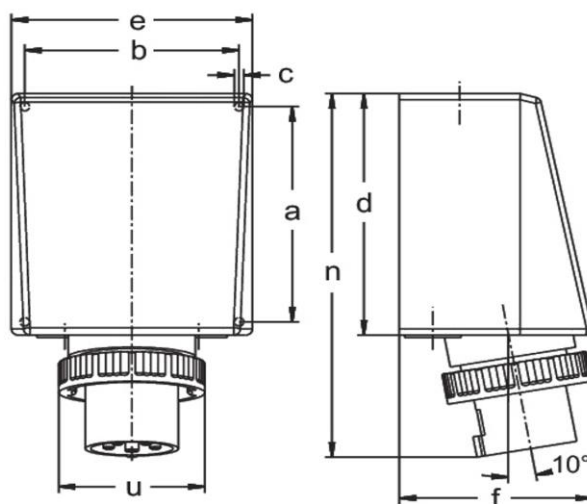
## Classification system

Classification system	ETIM_6.0
ETIM Class	EC001319

## Technical product data

IEC-amperage	125 A
Amperage acc. UL/CSA (for UL-version)	100 A
Number of poles	5
Voltage acc. EN 60309-2	230 V (50+60 Hz) blue
Clock hour position	9 h
Identification colour	Blue
RAL-number	5002
Degree of protection (IP)	IP67
Connection system	Screwed terminal
Connection type	Wall mounted plug
Angle of plug	Angled
Material	Plastic

## Dimension sheet



Amp.	125		
Pole	3	4	5
a	240	240	240
b	200	200	200
c	7	7	7
d	263	263	263
e	220	220	220
f	175	175	175
n	390	390	390
u	130	130	130
M1	50/20	50/20	50/20
M2	40	40	40