

PRODUCT DATA SHEET

Part number 7119309

EAN 4015609150045

Manufacturer WALTHER-WERKE

WEEE-Reg.-Number: DE 22131895

Product description

Waterproof CEPro Wall socket for internal fixing
 16A 3P 9h with two knock-out cable entries on top
 and bottom



Similar image

Detailed product description

WALTHER CEPro Wall socket 16A 3P 400V 9h IP67
 made from PA6 material
 for maximum six control contacts
 with two knock-out cable entries on top and bottom
 for internal fixing
 a compact solution for power and control
 outer dimension 96x95mm

Ordering Information

Order unit	Piece
Customs number	85366990
Net weight	0,407 kg
Packing quantity (VPE)	5
Length of the packaging	
Width of the packaging	
Depth of the packaging	
Gross weight(VPE)	2,035 kg

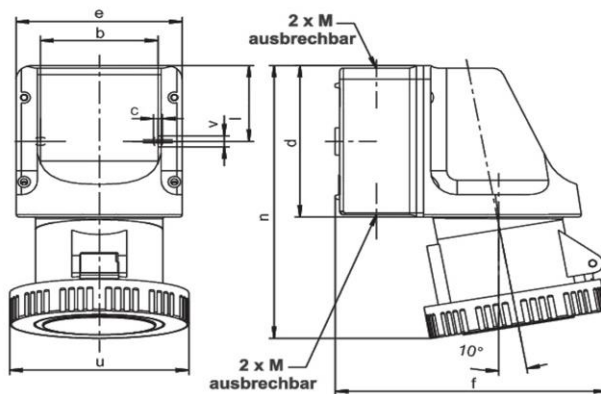
Classification system

Classification system	ETIM_6.0
ETIM Class	EC001321

Technical product data

Model	Surface mounted (plaster)
IEC-amperage	16 A
Number of poles	3
Voltage acc. EN 60309-2	400 V (50+60 Hz) red
Clock hour position	9 h
Identification colour	Red
RAL-number	3000
Degree of protection (IP)	IP67
Connection system	Screwed terminal
Material	Plastic
Type of fastening	Inner lying mounting
Insulated mounting	True

Dimension sheet



Amp.	16		32
Pole	3	5	5
b	66,5	66,5	66,5
c	5	5	5
d	96	96	96
e	95	95	95
f	140	147	156
l	47,5	47,5	47,5
n	164	164	176
u	72	88	103
v	7	7	7
M	20/25	20/25	20/25