

## PRODUCT DATA SHEET

---

Part number 7119507

---

EAN 4015609198306

Manufacturer WALTHER-WERKE

WEEE-Reg.-Number: DE 22131895

### Product description

---

Waterproof CEPro Wall socket for internal fixing  
 16A 5P 7h with two knock-out cable entries on top  
 and bottom



Similar image

### Detailed product description

---

WALTHER CEPro Wall socket 16A 5P 500V 7h IP67  
 made from PA6 material  
 for maximum nine control contacts  
 with two knock-out cable entries on top and bottom  
 for internal fixing  
 a compact solution for power and control  
 outer dimension 96x95mm

### Ordering Information

---

Order unit	Piece
Customs number	85366990
Net weight	0,47 kg
Packing quantity (VPE)	5
Length of the packaging	
Width of the packaging	
Depth of the packaging	
Gross weight(VPE)	2,35 kg

### Classification system

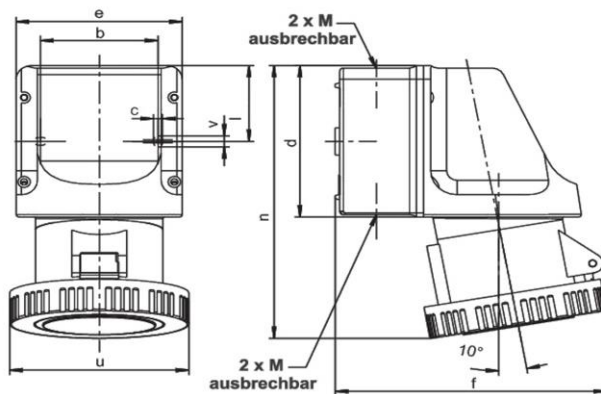
---

Classification system	ETIM_6.0
ETIM Class	EC001321

## Technical product data

Model	Surface mounted (plaster)
IEC-amperage	16 A
Number of poles	5
Voltage acc. EN 60309-2	500 V (50+60 Hz) black
Clock hour position	7 h
Identification colour	Black
RAL-number	9005
Degree of protection (IP)	IP67
Connection system	Screwed terminal
Material	Plastic
Type of fastening	Inner lying mounting
Insulated mounting	True

## Dimension sheet



Amp.	16		32
Pole	3	5	5
b	66,5	66,5	66,5
c	5	5	5
d	96	96	96
e	95	95	95
f	140	147	156
l	47,5	47,5	47,5
n	164	164	176
u	72	88	103
v	7	7	7
M	20/25	20/25	20/25