

PRODUCT DATA SHEET

Part number 7139509

EAN 4015609150113

Manufacturer WALTHER-WERKE

WEEE-Reg.-Number: DE 22131895

Product description

Waterproof CEPro Wall socket for internal fixing
 32A 5P 9h with two knock-out cable entries on top
 and bottom



Similar image

Detailed product description

WALTHER CEPro Wall socket 32A 5P 230V 9h IP67
 made from PA6 material
 for maximum ten control contacts
 with two knock-out cable entries on top and bottom
 for internal fixing
 a compact solution for power and control
 outer dimension 96x95mm

Ordering Information

Order unit	Piece
Customs number	85366990
Net weight	0,549 kg
Packing quantity (VPE)	5
Length of the packaging	
Width of the packaging	
Depth of the packaging	
Gross weight(VPE)	2,745 kg

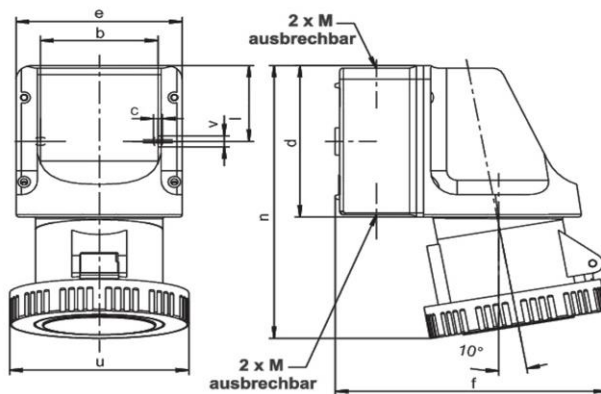
Classification system

Classification system	ETIM_6.0
ETIM Class	EC001321

Technical product data

Model	Surface mounted (plaster)
IEC-amperage	32 A
Number of poles	5
Voltage acc. EN 60309-2	230 V (50+60 Hz) blue
Clock hour position	9 h
Identification colour	Blue
RAL-number	5002
Degree of protection (IP)	IP67
Connection system	Screwed terminal
Material	Plastic
Type of fastening	Inner lying mounting
Insulated mounting	True

Dimension sheet



Amp.	16		32
Pole	3	5	5
b	66,5	66,5	66,5
c	5	5	5
d	96	96	96
e	95	95	95
f	140	147	156
l	47,5	47,5	47,5
n	164	164	176
u	72	88	103
v	7	7	7
M	20/25	20/25	20/25