

## PRODUCT DATA SHEET

---

Part number 7219504

---

EAN 4015609150175

Manufacturer WALTHER-WERKE

WEEE-Reg.-Number: DE 22131895

### Product description

---

Waterproof CEPro Plug 16A 5P 4h with cable gland



Similar image

### Detailed product description

---

WALTHER CEPro Plug 16A 5P 110V 4h IP67

made from PA6 material

with maximum nine control contacts

with cable gland

a compact solution for power and control

### Ordering Information

---

Order unit	Piece
Customs number	85366990
Net weight	0,207 kg
Packing quantity (VPE)	10
Length of the packaging	
Width of the packaging	
Depth of the packaging	
Gross weight(VPE)	2,07 kg

### Classification system

---

Classification system ETIM\_6.0

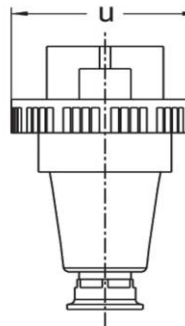
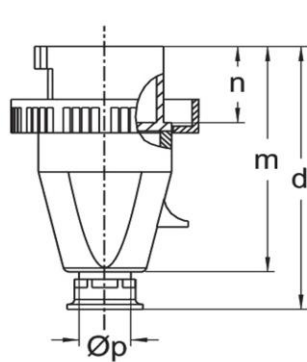
ETIM Class

EC000140

### Technical product data

IEC-amperage	16 A
Number of poles	5
Voltage acc. EN 60309-2	110 V (50+60 Hz) yellow
Clock hour position	4 h
Identification colour	Yellow
RAL-number	1018
Degree of protection (IP)	IP67
Connection system	Screwed terminal
Cable entry	Swivel
Angle of plug	Straight
Material	Plastic

### Dimension sheet



Amp.	16		32
Pole	3	5	5
d	126	139	166
m	110	114	135
n	37	37	46
u	72	88	103
Øp	7,5-12,5	10-19,5	18-24,5