

PRODUCT DATA SHEET

Part number 7619507

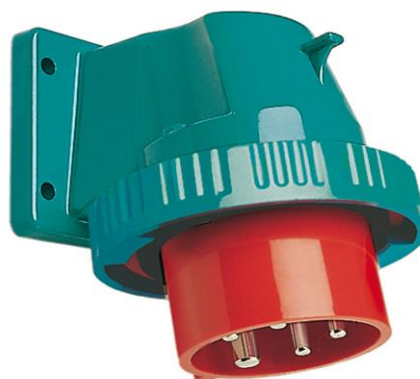
EAN 4015609250592

Manufacturer WALTHER-WERKE

WEEE-Reg.-Number: DE 22131895

Product description

Waterproof CEPro Panel appliance inlet angled
 16A 5P 7h with screwed flange 66x80mm



Similar image

Detailed product description

WALTHER CEPro Panel appliance inlet 16A 5P 500V 7h IP67

made from PA6 material

angled

for maximum nine control contacts

with screwed flange

a compact solution for power and control

flange 66x80mm

fixing center 40x68mm

Ordering Information

Order unit	Piece
Customs number	85366990
Net weight	0,234 kg
Packing quantity (VPE)	10
Length of the packaging	
Width of the packaging	
Depth of the packaging	
Gross weight(VPE)	2,34 kg

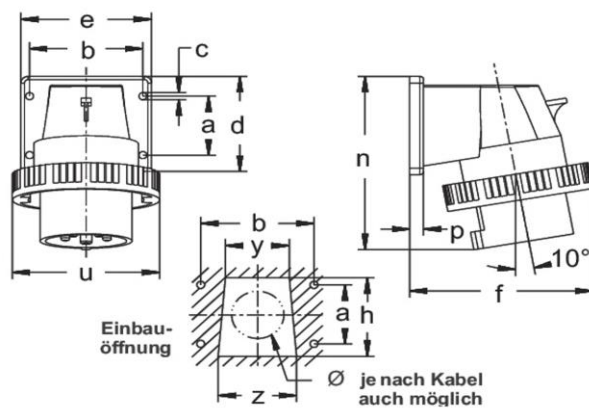
Classification system

Classification system	ETIM_6.0
ETIM Class	EC001319

Technical product data

IEC-ampereage	16 A
Number of poles	5
Voltage acc. EN 60309-2	500 V (50+60 Hz) black
Clock hour position	7 h
Identification colour	Black
RAL-number	9005
Degree of protection (IP)	IP67
Connection system	Screwed terminal
Connection type	Wall mounted plug
Angle of plug	Angled
Material	Plastic

Dimension sheet



Amp.	16		32
Pole	3	5	5
a	30	40	45
b	55	68	78
c	5,5	5,5	5,5
d	52	66	75
e	65	80	90
f	81	103	117
h	38	52	60
n	98	113	131
p	9,5	9,5	9,5
u	72	88	103
y	30	38	44
z	36	46	54