

PRODUCT DATA SHEET

Part number **7619511**

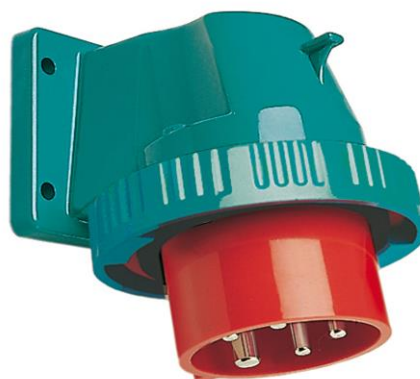
EAN **4015609150793**

Manufacturer **WALTHER-WERKE**

WEEE-Reg.-Number: **DE 22131895**

Product description

Waterproof CEPro Panel appliance inlet angled
 16A 5P 11h with screwed flange 66x80mm



Similar image

Detailed product description

WALTHER CEPro Panel appliance inlet 16A 5P 440V 11h IP67
 made from PA6 material
 angled
 for maximum nine control contacts
 with screwed flange
 a compact solution for power and control
 flange 66x80mm
 fixing center 40x68mm

Ordering Information

Order unit	Piece
Customs number	85366990
Net weight	0,234 kg
Packing quantity (VPE)	10
Length of the packaging	
Width of the packaging	
Depth of the packaging	
Gross weight(VPE)	2,34 kg

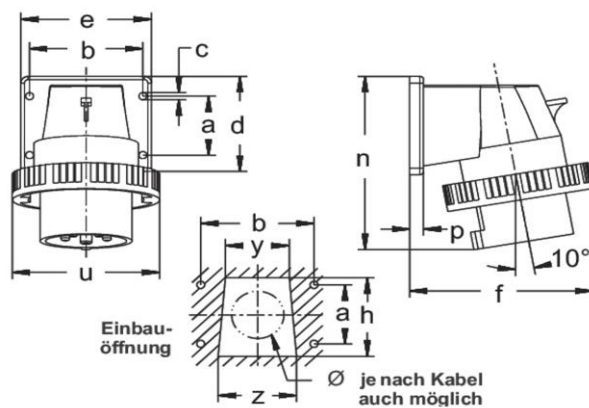
Classification system

Classification system	ETIM_6.0
ETIM Class	EC001319

Technical product data

IEC-ampereage	16 A
Number of poles	5
Voltage acc. EN 60309-2	400-440 V (50+60 Hz) red
Clock hour position	11 h
Identification colour	Red
RAL-number	3000
Degree of protection (IP)	IP67
Connection system	Screwed terminal
Connection type	Wall mounted plug
Angle of plug	Angled
Material	Plastic

Dimension sheet



Amp.	16		32
Pole	3	5	5
a	30	40	45
b	55	68	78
c	5,5	5,5	5,5
d	52	66	75
e	65	80	90
f	81	103	117
h	38	52	60
n	98	113	131
p	9,5	9,5	9,5
u	72	88	103
y	30	38	44
z	36	46	54