

PRODUCT DATA SHEET

Part number	AD169
EAN	4015609262786
Manufacturer	WALTHER-WERKE
WEEE-Reg.-Number:	DE 22131895

Product description

Waterproof wall socket 63A 5P 6h with 4-pole switch KG without interlocking



Similar image

Detailed product description

WALTHER Wall socket 63A 5P 400V 6h IP67
 made from PA6 material
 with switch
 without interlocking
 switch = 4-pole

Ordering Information

Order unit	Piece
Customs number	85366990
Net weight	
Packing quantity (VPE)	1
Length of the packaging	2,43 kg
Width of the packaging	
Depth of the packaging	
Gross weight(VPE)	2,43 kg

Certificates

VDE certification 40002935



UL certification

No. E188992



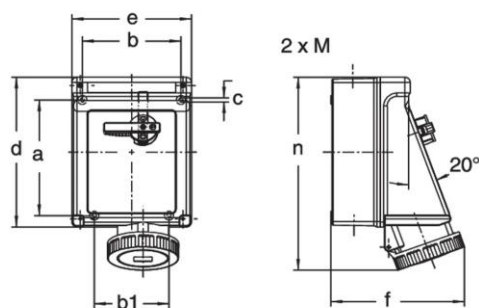
Classification system

Classification system	ETIM_6.0
ETIM Class	EC001324

Technical product data

IEC-amperage	63 A
Amperage acc. UL/CSA (for UL-version)	60 A
Number of poles	5
Voltage acc. EN 60309-2	400 V (50+60 Hz) red
Clock hour position	6 h
Identification colour	red
Degree of protection (IP)	IP67
Type of switch	With on/off switch, without locking
Type of switch	Special switch
Material housing	Plastic
Protection	None

Dimension sheet



Amp.	16			32			63		
	3	4	5	3	4	5	3	4	5
a	183	183	183	183	183	183	183	183	183
b	151	151	151	151	151	151	151	151	151
b1	114	114	114	114	114	114	114	114	114
c	6,5	6,5	6,5	6,5	6,5	6,5	6,5	6,5	6,5
d	237	237	237	237	237	237	237	237	237
e	183	183	183	183	183	183	183	183	183
f (IP 44)	182	187	184	187	187	189	196	196	196
f (IP 67)	193	194	196	201	201	201	209	209	209
n (IP 44)	268	270	273	282	282	284	302	302	302
n (IP 67)	270	272	277	285	285	289	309	309	309
v	/	/	/	/	/	/	/	/	/
M	25/40	25/40	25/40	25/40	25/40	25/40	25/40	25/40	25/40